

Features

- Measure accuracy: $\pm 1^{\circ}\text{C}$
- Display range: $-50.0\sim 150.0^{\circ}\text{C}$
- RS485 Modbus RTU communication port
- Up to 12 channels wireless sensor connection
- High stability and low cost
- CE Approved



Applications

1. Contactor and copper bus of high-voltage breaker box、high-voltage cable connector dry-type transformers
2. Equipments temperature monitoring of Low-voltage with high-current cabinet

Ordering Information

WTM-100 — Communication Option — ADH

CODE	Communication Option
81	RS-485x1
82	RS-485x2

Wireless temperature sensor

WTS-P1 — Temp. Range

CODE	Temp. Range
T	High Temp.: $-20.0\sim 150.0^{\circ}\text{C}$

Technical Specification

Measure range: $-20.0\sim 150.0^{\circ}\text{C}$

Accuracy: $\leq \pm 1^{\circ}\text{C}$

Resolution: $\pm 0.1^{\circ}\text{C}$

Response time: 0.5 Sec

Display

LCD: Matrix LCD with backlight

Sensor setting

Group: 1~4 sets (A-B-C channels per set)

ID code: 0000~FFFF(SN-ID encode)

Alarm

Relay output: 2 sets FORM-C, 1A/230Vac, 3A/115V

Alarm mode 1: When measuring temperature exceeds set point

Alarm mode 2: When measuring temperature higher ambient temperature and exceeds the set point

Alarm Record: Up to 99 records save with non-volatile memory and will be keep over 10 years without power.

RS485 Communication

Address: 1~247

Baud rate: 1200/2400/4800/9600/19200/38400 bps

Data: N-8-1 (Modbus RTU Mode)

Power Supply

Range: AC85~264V; DC100~300V

Power consumption: $\leq 10\text{W}$

Environmental Characteristics

Operating Temp.: $-10\sim 55^{\circ}\text{C}$

Humidity rating: 0~75%RH, Non-condensing

Storage Temp.: $-30\sim 80^{\circ}\text{C}$

IP Enclosure: IP30 of shell

Safety

Insulation resistance: $\geq 100\text{M}\Omega$

Isolation: AC2000V, 1min

LVD: IEC255-22

EMC: EN301489

Safety: EN60950

Radio: EN300220

NCC: CCAJ15LP4270T3

Mechanical Characteristics

Dimensions: 95mm(W)x95mm(H)x85(D)

Material: ABS, White (with fire-retardant)

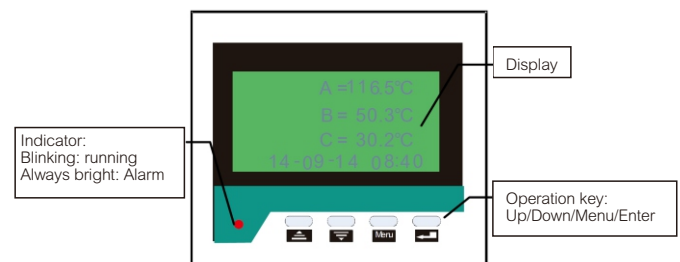
Wire terminal: PA 66 (UL94V-0)

30~12AWG / 0.2~3.0mm²

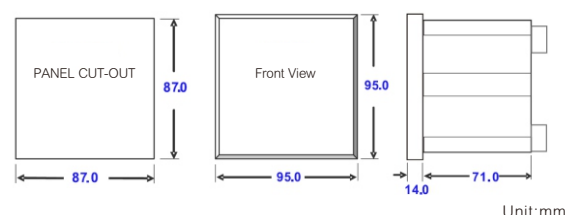
Screw Torque Value: M2.5/ 5.2kgf.cm(Max)

Weight: 200g

Front Panel

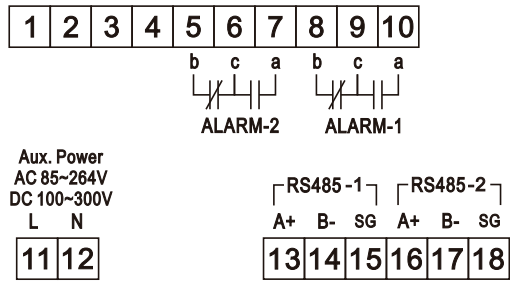


Dimension



Unit:mm

■ **Connection Diagram**



■ **Wireless Temperature Sensor**

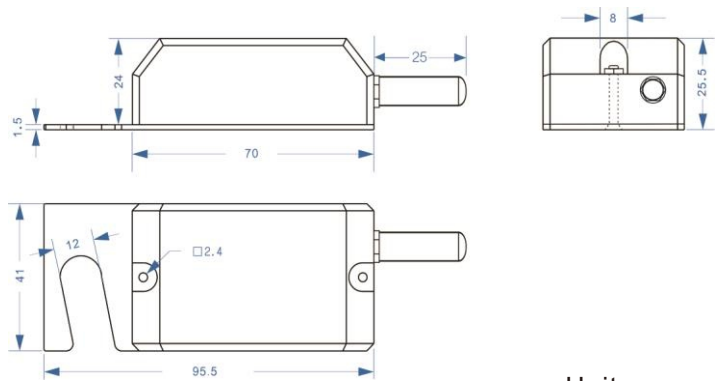


Measuring range: -20.0~150.0°C
 Operating temperature: High Temp.: WTS-P1-T: -20.0~150.0°C
 Accuracy: $\leq \pm 1^\circ\text{C}$
 Resoulution: $\pm 0.1^\circ\text{C}$
 Response time: 0.5 Sec
 Radio frequency: 434MHz
 Distance: 300M
 Battery: $\geq 8\sim 12$ years
 Dimension: 120.5(L)x41(W)x25.5(H)mm
 Weight: 105g

■ **Application Example**



■ **Dimension**



Unit:mm