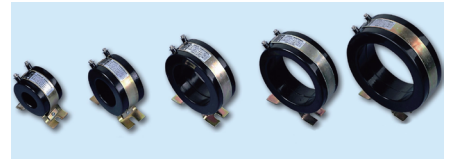


## Description

UA-CTR offers a complete range of high quality current transformers suitable for low voltage (LV) applications to meet customer various needs.

They have a standard range plastic case transformer suitable of indoor use.



## Feature

- Cost effective molded case measuring current transformers
- Ratio ratings from 20 to 5000A

## Applications

- Measuring instruments, such as ammeters, kilowatt, power factor, kilowatt-hour meters, etc
- Isolate the instruments from the power circuits.

## Ordering Information

UA-CTR    Current of primary    —    Current of secondary

CODE	Primary	CODE	Primary	CODE	Primary	CODE	Primary	CODE	Primary	CODE	Secondary
3-	50x75x95/Φ35	6-	55x97x110/Φ56	9-	51x132x150/Φ90	C-	51x148x170/Φ110	D-	51x177x190/Φ128	5	5A
	0020 20A (5T)		0400 400A		0800 800A		1000 1000A		2000 2000A		
	0030 30A (4T)		0500 500A		1000 1000A		1200 1200A		2500 2500A		
	0050 50A (2T)		0600 600A		1200 1200A		1500 1500A		3000 3000A		
	0050T 50A (1T)								4000 4000A		
	0075 75A (2T)								5000 5000A		
	0100 100A										
	0150 150A										
	0200 200A										
	0250 250A										
	0300 300A										

## Technical Specification

Current of primary :20~5000A, please refer to the table of types

Current of secondary:5A

Accuracy: Class 1.0 (IEC 60044-1)

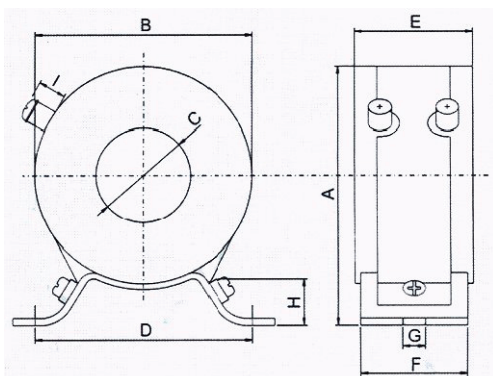
Frequency: 50 to 60 Hz

Insulation: 0.6 kV. BIL 5 kV full wave

Terminals: Brass studs with one flat washer, lock washer and regular nut

	Primary(A)	Secondary(A)	Burden	Weight
UA-CTR3-	20 ~ 300A	5A	15 VA	0.8 kg
UA-CTR6-	400 ~ 600A	5A	15 VA	1.0 kg
UA-CTR9-	800 ~ 1200A	5A	15 VA	1.3 kg
UA-CTRC-	1000 ~ 1500A	5A	15 VA	1.4 kg
UA-CTR D-	2000 ~ 5000A	5A	15 VA	2.1 kg

## Dimensions



Unit:mm

	A	B	C Window	D	E	F	G	H	I
UA-CTR3-	95	75	35	77	50	45	8	20	13
UA-CTR6-	110	97	56	94	55	45	8	20	13
UA-CTR9-	150	132	90	94	51	45	8	20	13
UA-CTRC-	170	148	110	94	51	45	8	20	13
UA-CTR D-	190	177	128	94	57	45	8	20	13

