

## Description

CSN Series is a simple type of economic Panel Meter, and its large LED display with 20.0mm and anti-jamming design, quality, reliable, easy to install.

Full range can be specified DC voltage / current, thermal resistance, potentiometer, such as the general measurement requirements.



	Measurement / input signal	Excitation output
CSN-PR	DC :0~20mA / 4~20mA, DV:0~5V / 1~5V / 0~10V	Option
CSN-PM	Potential-meter 0~2.0kΩ (3 wire), 2.0kΩ~100.0kΩ (3 wire)	NA

## Features

- Users can adjust the zero point. coarse adjustment and fine adjustment 3 potentiometer, directly in the field to adjust the displayed value
- 20.0mm large highlight LED display; design of Straight into the terminal, no access to undesirable questions; Installation depth of only 73mm

## Technical Specification

### Input

Input signal and Range		Resolution	Display accurac	Input impedance
DC current CSN-PR	0 ~ 10 mA	By Order	≤ ± 0.1% of FS ± 1count	250 Ω
	0 ~ 20 mA	By Order		250 Ω
	4 ~ 20 mA	By Order		250 Ω
DC voltage CSN-PR	0 ~ 5 V	By Order	≤ ± 0.1% of FS ± 1count	≥ 1M Ω
	0 ~ 1.0V(CODE:V5M)	By Order		≥ 1M Ω
	0 ~ 1.0V(CODE:V5)	By Order		≥ 100K Ω
	1 ~ 5 V	By Order		≥ 1M Ω
Potentiometer CSN-PM	0~2.0K Ω	By Order	≤ ± 0.1% of FS ± 1count	≥ 1M Ω
	0~100k Ω	By Order	FS ± 1count	≥ 1M Ω

Calibration: Potentiometer  
 Zero adjustment: ≤ 5 % F.S (Clockwise to increase)  
 Span adjustment: Coarse 0~100% (Clockwise to increase)  
 Trimming ≤ 5 % F.S (Clockwise to increase)  
 Sampling rate: 1 cycle/sec

### Display & Functions

LED: Numeric: 3 1/2 digits,  
 0.8" (20.0mm) high-brightness LED  
 Display range: -1999~1999  
 Decimal point: Short films from 0 / 0.0 / 0.00 / 0.000  
 Over range Indication: "!" : when input is over range Hi  
 Under range indication: "- !" : when input is over range Lo  
 Input overload capacity: Voltage: 1.2 rated continuous  
 1.5 rated input under 10 seconds  
 Current: 10 rated input under 10 seconds

### Power

Power supply: AC 115 / 230V, 50/60Hz  
 DC 24V ± 10%  
 Excitation power: CSN-PR: DC24V, 30mA  
 Power consumption: AC:2.5VA

### Electrical Safety

Dielectric strength: AC 2.0 KV for 1 min,  
 Between Power / Input / Output / Case  
 Insulation resistance: ≥ 100M Ω @ 500Vdc,  
 Between Power / Input / Output / Case

### Environmental Conditions

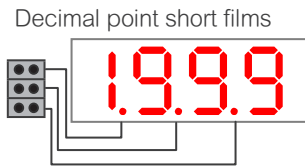
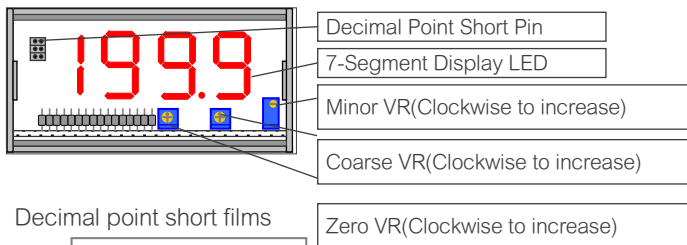
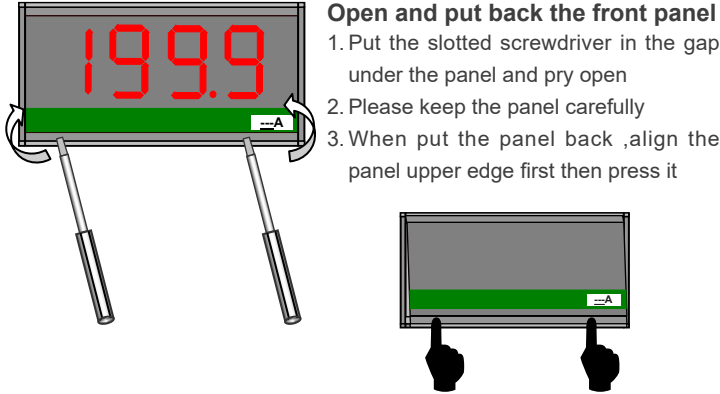
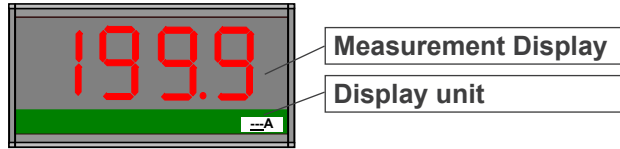
Operating temp.: 0~60 °C  
 Operating humidity: 20~95 %RH, Non-condensing  
 Temp. coefficient: ≤ 100 PPM/°C (0~50°C)  
 Storage temp.: -10~70 °C  
 Enclosure: Front panel: IEC 549 (IP54); Housing: IP20

### Mechanical Structure

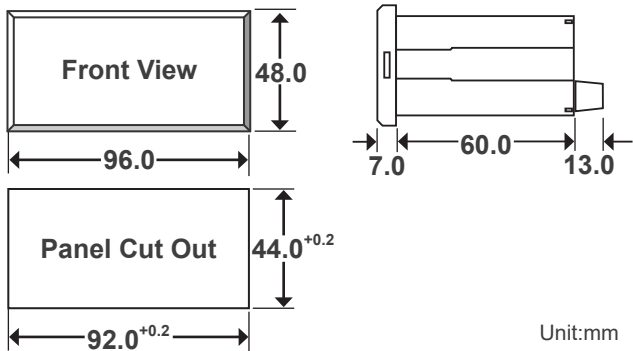
Dimensions: 96mm(W) x 48mm(H) x 80mm(D)  
 Panel cutout: 93mm(W) x 45mm(H)  
 Case material: ABS fire-resistance (UL 94V-0)  
 Mounting: Panel flush mounting  
 Terminal block: Plastic NYLON 66 (UL 94V-0);  
 22~14AWG / 0.5~2.0mm<sup>2</sup>  
 Screw Torque Value : M3.5 / 12kgf.cm(Max)  
 Weight: 310g



## Front Panel & Adjustment

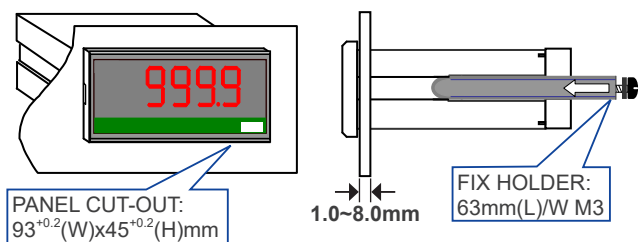


## Dimensions

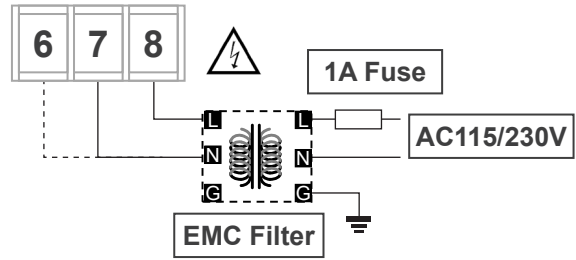


## Installation

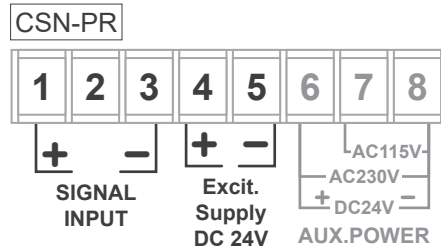
The meter should be installed in a location that does not exceed the maximum operating temperature and provides good air circulation.



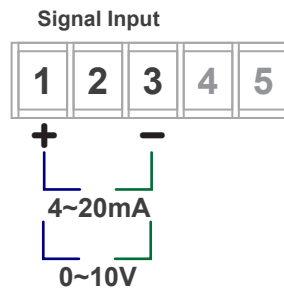
## Power Connection



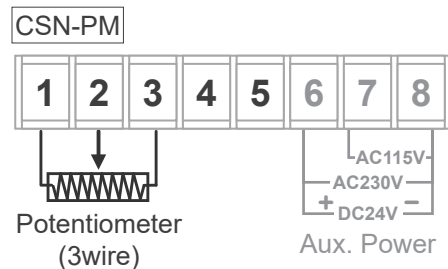
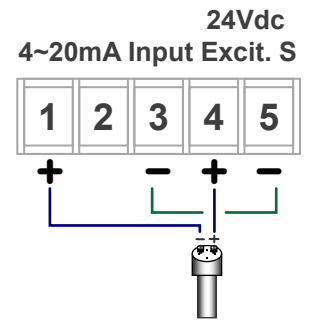
## Input Signal



### Signal Input



### 2 wire sensor Input Connection



**Ordering Information**

