

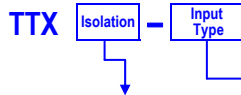
TTX TEMP. SIGNAL TRANSMITTER (HEAD MOUNTING)

FEATURE

- Input Type and range programmable for RTD Pt100Ω, Pt1000Ω, CU10, CU100; Thermo-couple type K, J, E, T, R, S, B
- Output 4~20mA with loop powered
- CE Approved & RoHS



ORDERING INFORMATION



| CODE | ISOLATION | CODE | INPUT TYPE |
|------|---------------|------|---|
| N | Non-Isolation | RT | Rtd Pt100Ω, CU10, CU100 Programmable |
| I | Isolation | TC | T/C Type K,J,E,T,R,S,B Programmable |
| | | UT | Rtd Pt100Ω, CU10, CU100 & T/C Type K,J,E,T,R,S,B Programmable |

TTX can be programmed in type and ranges by software "TT_Pro" of PC. Please find the software enclosure with product or download from our website www.csec.com.tw.

TECHNICAL DATA

Input (Programmable by "TT_Pro" software of PC)

| RTD Input Range | Input Impedance | T/C Input Range | Input Impedance |
|----------------------|-----------------|----------------------|-----------------|
| Pt100Ω(-200~+850°C) | ≥ 5M ohm | Type K(-200~+1372°C) | ≥ 5M ohm |
| Pt1000Ω(-200~+250°C) | ≥ 5M ohm | Type J(-200~+1200°C) | ≥ 5M ohm |
| CU50(-50~+150°C) | ≥ 5M ohm | Type E(-200~+900°C) | ≥ 5M ohm |
| CU100(-50~+150°C) | | Type T(-200~+400°C) | ≥ 5M ohm |
| | | Type R(0~+1768°C) | ≥ 5M ohm |
| | | Type S(0~+1768°C) | ≥ 5M ohm |
| | | Type B(320~+1820°C) | ≥ 5M ohm |

Environmental

Operating temp.: -40~80 °C
Operating humidity: 20~95% RH, Non-condensing
Temperature drift: 0.1% F.S./10°C
Storage temperature: -40~80 °C
Protection: IP 42

Mechanical

Dimensions: 44.0mm(W) x 21mm(H)
Housing: Self-extinguishing, black PVT, UL94V0
Terminals: M4.0 Sprint terminal,
Mounting: DIN B-head or larger

Specification

EMC: EN 61326-1
Electric Isolation: For Isolation type(Code: TTXI) AC 1.5KV for 1min; Between Input / Output
Insulation resistance: ≥ 100MΩ at 500Vdc

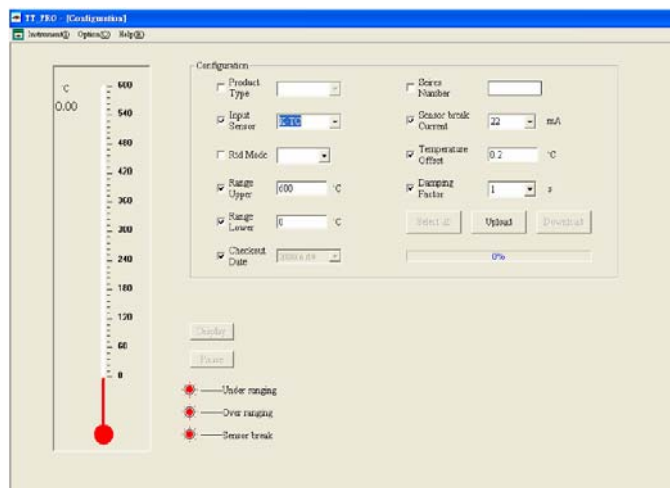
Analogue output

| Output Range | Accuracy | Load Resistance |
|--------------|-----------------|-------------------------|
| 4 ~ 20mA | ≤ ±0.2% of F.S. | ≤ (Vs-12) / 0.022 (ohm) |

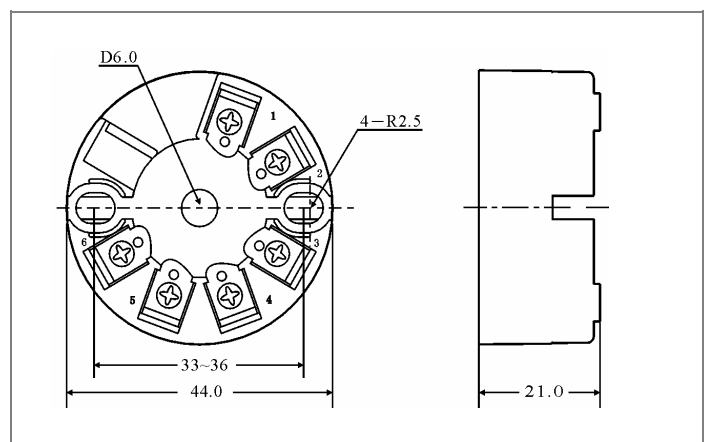
Cold Junction: -40~85°C, Error ≤ 1.0°C
Response time: ≤ 100msec (10%~90% of FS)
Output ripple: ≤ ±0.1% of F.S.
Sensor Break Protect: Pull up to 22mA or Push down to 3.8mA

Programming Software

We offer the programming software and programming cable (option). Please contact with our sales department if inquiry or download from our website.



DIMENSIONS



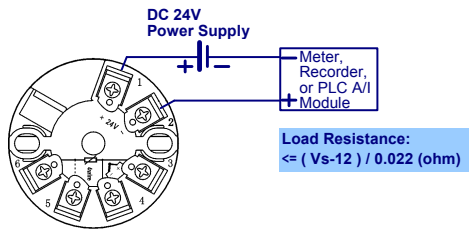
Power

Power supply: Loop power: DC 12~35V
Power consumption: Auxiliary power type ≤ 60mA at 24V, 20mA

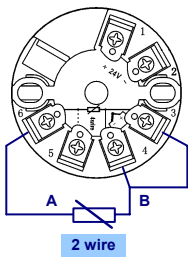
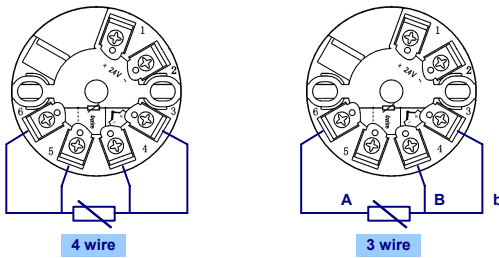
CONNECTION DIAGRAM

Please check the voltage & type of power supplied first, and then connect to the specified terminals. It is recommended that power supplied to the meter be protected by a fuse.

Loop Powered & Output Connection



Pt100 ohm Input Connection



Thermocouple Input Connection

